

XStream Series



High-performance storage for all professional content creation needs

Engineered with the highest performance storage technology available, EditShare XStream supports any workflow with almost limitless scalability for both user numbers and storage size.



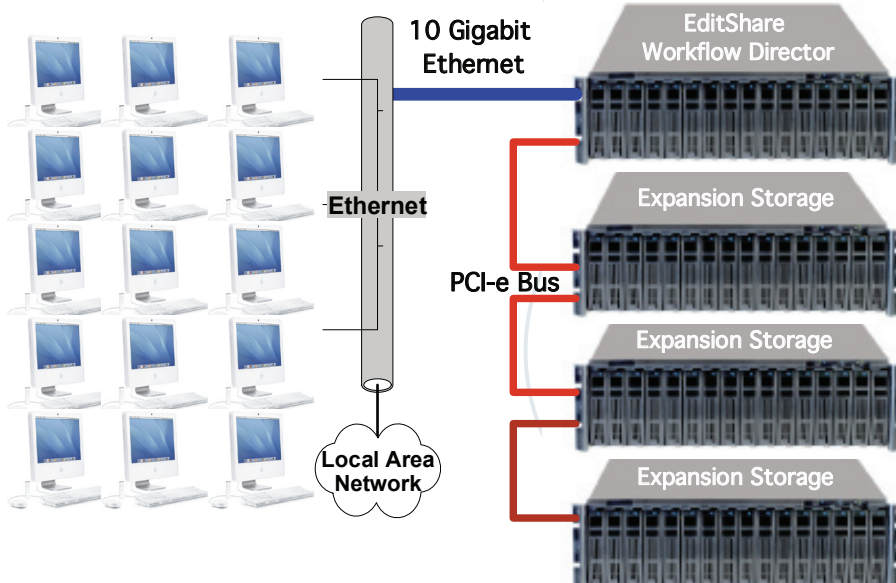
A New Breed of High-Performance Shared Storage

Designed for the most extreme and demanding media sharing workflows, EditShare XStream combines the award-winning features of the flagship *EditShare Storage Series* with the highest performance hardware available. XStream is designed for all creative workgroups, from digital intermediate, news, sports, reality TV and education, to any high-resolution media sharing workflow where a large number of simultaneous users require real-time edit-in-place or true collaborative access to high-resolution video files and data.

EditShare XStream provides an open environment for creative teams to share media, regardless of application or platform. Apple, Adobe, Assimilate, Autodesk, Avid, Digidesign, Sony, Thomson and other users can connect via Gigabit or 10-Gigabit Ethernet and freely share media regardless of file size or format. EditShare XStream takes advantage of PCI-E infrastructure to combine a very high number of simultaneous video streams with almost limitless storage scalability.

A Full Suite of Media Sharing Workflow and Storage Solutions

EditShare XStream fully integrates with *EditShare Flow*, *Storage Series* and *Ark*, to deliver a complete end-to-end media sharing workflow. Multi-channel, multi-format ingest (three formats simultaneously), universal media format with media sharing across workgroups, backup and archiving create a flawless exchange of metadata. Increase your productivity, and unleash creativity with EditShare's *Complete Collaboration* range.



KEY BENEFITS

- Support for High Stream Counts and Bandwidths**
 Work in the highest resolution and connect hundreds of users.
- Extreme Scalable Architecture**
 You are not limited to how much storage can be used, so grow your storage as your needs grow.
- Avid & Apple Project Sharing**
 Avid or Apple editors can work from the exact same project, features unique to EditShare Thomson and other users can connect via Gigabit or 10-Gigabit Ethernet.
- RAID-5 Protection**
 The best balance between performance and protection.
- File Level Sharing**
 Multiple editors can safely write to the same volume simultaneously.
- iSCSI Support**
 Users have the advantages of both a SAN and a NAS at the same time.
- Synchronization/Backup Tool**
 Duplicate media files across two or more servers for better performance.
- Gigabit and 10 Gigabit Ethernet Based**
 Economical and powerful support for all resolutions.
- No per seat licenses**
 Connect as many clients as you need at will.
- Deletion Security**
 Control who can delete files, and when.

EditShare XStream isn't just storage. It's a complete Workflow Engine.



EditShare XStream Specifications*

EditShare Workflow Director (EWD)

- User management tools for unlimited numbers of editors/artists
- Limited Administration features can be assigned on an individual User basis
- Media Space creation and User assignment
- Project Share creation for Avid, Final Cut Pro, and others.
- Protection from accidental media deletion by other Users by default
- Dynamic Quota allocation for any Media Space
- Avid MXF and OMF Media Space creation and management tools
- Managed Media Space creation for Final Cut Pro, Premiere Pro, Edius, Sony Vegas, etc
- Unmanaged Media Space creation and user management
- Storage usage tool: by RAID, by User, and by Media Space
- Unique "Trash" feature for restoring accidentally deleted files
- Protect Media feature stops accidental deletion of valuable files on Media Spaces
- Maintenance Mode for easy media deletion
- CSV File import for easy management of large numbers of Users and Media Spaces
- "Clean Sweep" tool allows quick but controlled deletion by Project, User, or by media type
- Synchronization Tool for mirroring or archiving media spaces to another

EditShare server for better performance

- Email notification when Media Space Quota levels are being approached

Client Support

- Mac, PC, and Linux Client compatible.
- Supports SMB, AFP, NFS shares
- iSCSI support for Protocols or other systems that normally require direct attached storage
- EditShare Connect Tool: automatically maps User's authorized shares, shares Projects, and gives access to Limited Administration tools
- EditShare Browser Tool for managing Shared Projects
- System can be managed from any authorized workstation on the network.
- File-level locking/protection for perfect video workflow and sharing
- Each XStream server can support unlimited number of clients (subject to bandwidth limitations of the drive and network design)

Storage

- 7200RPM 3.5 inch enterprise-class Serial Attached SCSI (SAS) class drives in 500GB, 750GB, and 1TB capacities
- 15000RPM 3.5 inch enterprise-class Serial Attached SCSI (SAS) class drives in, 73GB, 146GB, 300GB, and 450GB capacities
- Xstream Server houses 16 drives in RAID5
- Each XStream Expansion Chassis also houses 16 drives in RAID5
- x8 PCI-e expansion for extreme

performance and video stream counts

- Individual server groups scale to 256 chassis (4096 drives)

- EditShare Extreme Scalable Architecture (ESA) enables virtually unlimited chassis and drive numbers

Raid Controller and Cache

- EditShare XStream Hardware Raid Controller with x8 PCIe to 3Gb SAS
- 3 Gb/s per port x8 ports; 256MB DDR2 DRAM

Raid Operation

- RAID5 standard (optionally capable of other RAID standards)
- Supports multiple RAID sets per hardware card for less latency
- Automatic and manual background rebuilding of drives after failure
- Notification of disk errors and alarms
- Remote event notification by email
- Rebuild and Verification settings
- Priority settings for all RAID maintenance
- Host Connections
- Gigabit Ethernet and 10 Gigabit Ethernet Support
- Server is supplied with a 10Gigabit HBA with CX4 connector
- Optional 10Gigabit Ethernet Fibre connectivity: SR/ER/LR

Electrical

- Dual universal input, 100-260 VAC, 50-60Hz
- Typical continuous power: 460W for XStream Server with 16 drives; 300W for Storage Chassis with 16 drives

- Hot-swappable 350W power supplies configured N+1 for redundancy;
- ROHAS, CE Mark, FCC Part 15, etc.

Maximum Thermal Output

- Server with 16 drives = 1705 BTU/hr
- Expansion chassis with 16 drives = 1023 BTU/hr, typical.
- Cooling System /Environmental
- Dual hot-swappable 120mm centrifugal blowers (80 cfm) configured N+1 for redundancy
- Operating +10 to +40C, 5%-95% RH;
- Non-operating 0 to +50C, 0 to 100% RH, Non-condensing.

Dimensions

- 3U standard rack mountable
- 19" w x 5.21" h x 21" d; (483 x 133 x 533 mm)
- Weight 35 lbs (15.9kg) without disk drives; 59 lbs (27kg) with all disk drives installed

Service and Support

- 90 day telephone support
- One year limited warranty of hardware
- Three year warranty on drives
- Optional Support and Extended hardware Warranty service and support contracts and products
- Remote Support: Standard in all server systems, this allows activation of live remote desktop for support by EditShare technicians.

*Specifications subject to change without notice

www.editshare.com

For further information, please go to our web site, or contact EditShare:

EditShare Americas
119 Braintree Street
Suite 402, Boston,
MA 02134 USA
T: +1 617-782-0479
F: +1 617-782-1071
E: sales@editshare.com

EditShare Asia-Pacific
Unit 1 The Moorings
20 Rivergate Place, Murarrie
QLD 4172, Australia
T: +61 7 3890 0450
F: +61 7 3890 0950
E: apsales@editshare.com

EditShare EMEA
97 Mortimer Street
London W1W 7SU
United Kingdom
T: +44 (0)20 7927 8330
F: +44 (0)20 7927 8331
E: sales@editshare.co.uk

EditShare France
57 Esplanade Charles de Gaulle
NCI La Défense Com'Square
92081 La Défense Cedex, France
T: +33 (0)1 46 96 56 75
F: +33 (0)1 46 96 56 57
E: sales@editshare.co.uk

EditShare Germany
Heisterbergallee 107
30453 Hannover
Germany
T: +49 (0)511/ 27 19 55 54
F: +49 (0)511/ 27 19 55 55
E: sales@editshare.de

EditShare Spain
Bailen 95, 1-1
Barcelona 08009
Spain
T: +34 93 1845579
F: +34 93 1842377
E: sales@editshare.co.uk